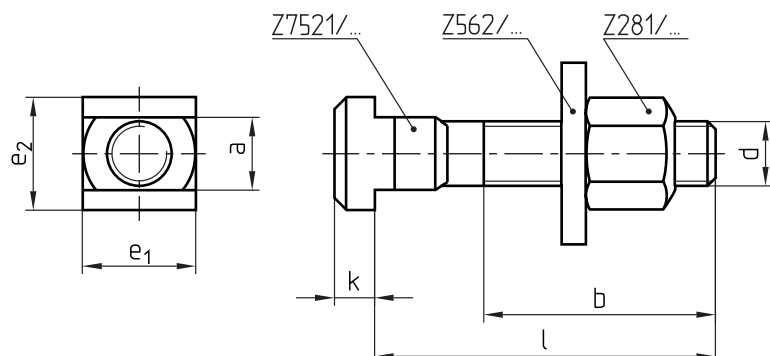

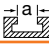


Z752/... (V5505/...)

Mat.: 10.9/1000 N/mm²



b	e ₁ /e ₂	k	d		l	Nr./No.
15	10	4	M 6	6	25	Z752/ 6x 6x 25
28					40	40
40					63	63
22	13	6	M 8	8	32	Z752/ 8x 8x 32
35					50	50
50					80	80
30	15	6	M 10	10	40	Z752/10x10x 40
45					63	63
60					100	100
35	18	7	M 12	12	50	Z752/12x12x 50
40					63	63
55					80	80
75					125	125
120					200	200
35	22	8	M 12	14	50	Z752/12x14x 50
45					63	63
55					80	80
75					125	125
120					200	200
45	25	9	M 14	16	63	Z752/14x16x 63
65					100	100
100					160	160
150					250	250
45	25	9	M 16	16	63	Z752/16x16x 63
55					80	80
65					100	100
100					160	160
125					200	200
150					250	250

b	e ₁ /e ₂	k	d		l	Nr./No.
45	28	10	M 16	18	63	Z752/16x18x 63
55					80	80
65					100	100
100					160	160
125					200	200
150					250	250
55	32	12	M 20	20	80	Z752/20x20x 80
65					100	100
85					125	125
110					160	160
125					200	200
150					250	250
190					315	315
55	35	14	M 20	22	80	Z752/20x22x 80
65					100	100
85					125	125
110					160	160
125					200	200
150					250	250
190					315	315
70	40	16	M 24	24	100	Z752/24x24x100
85					125	125
110					160	160
125					200	200
150					250	250
70	44	18	M 24	28	100	Z752/24x28x100
85					125	125
110					160	160
125					200	200
150					250	250
240					400	400
135	54	22	M 30	36	200	Z752/30x36x200

This is trial version
www.adultpdf.com